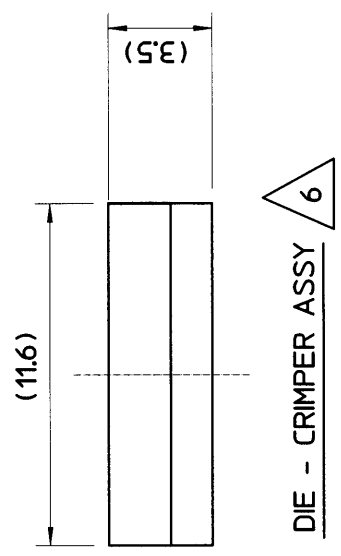
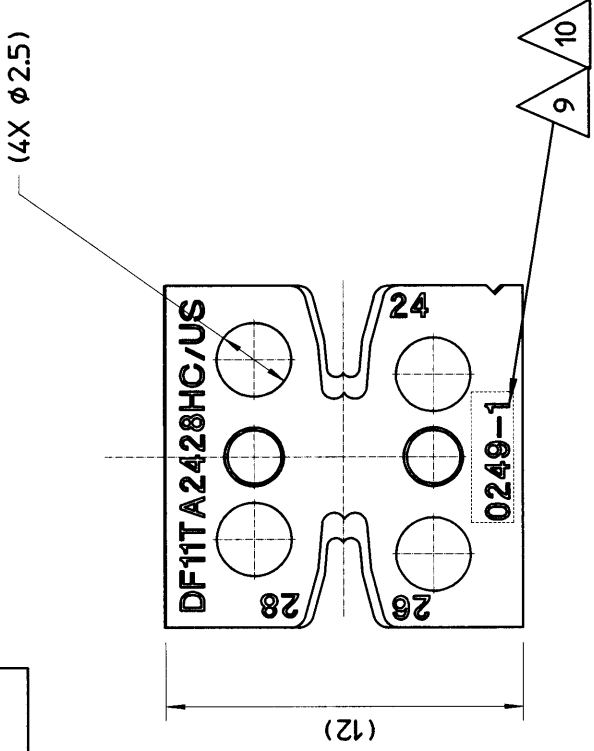


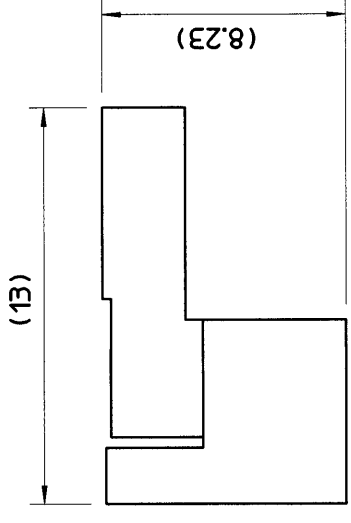
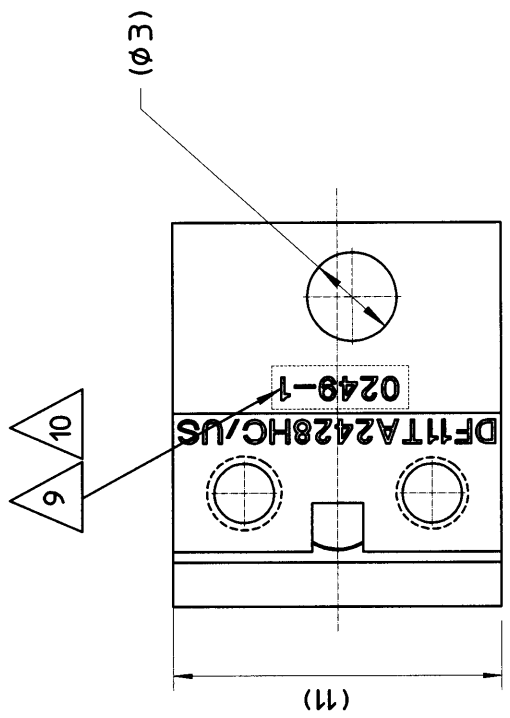
THE INFORMATION CONTAIN HEREIN IS PROPRIETARY TO HIROSE ELECTRIC (USA), INC. ALL RIGHTS THEREIN ARE RESERVED AND SHALL NOT BE USED, DUPLICATED, OR FURTHER DISSEMINATED FOR ANY PURPOSE WITHOUT THE CONSENT OF HIROSE ELECTRIC (USA), INC.

REVISIONS

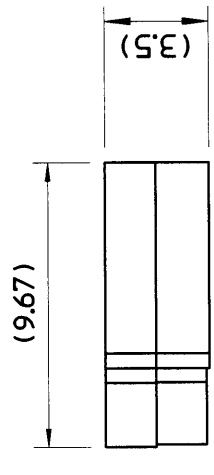
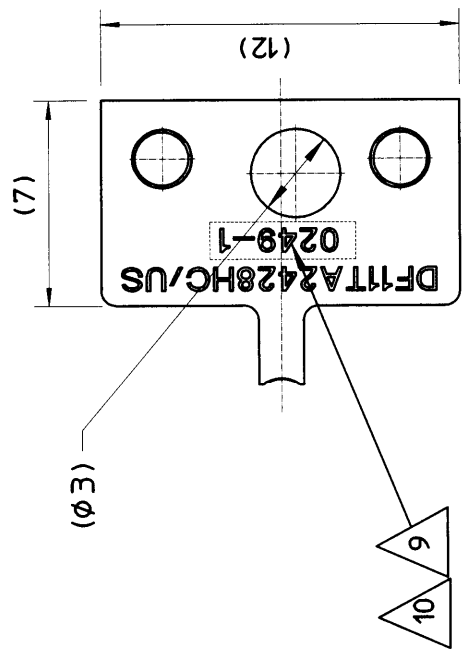
ZONE	REV.	DESCRIPTION	DATE	APPROVED
	N/R	NEW RELEASE	2/10/03	KMG
	A	REVISED PER DCN# 0872	5-19-03	A.S
	B	REVISED PER DCN# 0882	6/18/03	M.N



DIE - CRIMPER ASSY 6



DIE - CONTACT HOLDER ASSY 6



DIE - ANVIL ASSY 6



11. PACKAGING: CARDBOARD BOX, SIZE 203mm X 76mm X 51mm (8" X 3" X 2').  
 10. ALL THREE (3) DIES ARE SOLD AS MATCHING ASSEMBLY ONLY, AND TO BE MARKED WITH THE SAME DATE CODE.  
 9. DATE CODE AND SET No.; SEE EXAMPLE FOR EXPLANATION.

8. PART/No. DF11-TA2428HC/US-DS TO BE PURCHASED AS A SET ONLY.  
 7. RECOMMENDED NUMBER OF CRIMPING CYCLES - 15,000.  
 6. FOR ASSEMBLY, INSTALLATION AND OPERATION OF THIS DIE SET REFER TO INSTRUCTION MANUAL P/No. PS077.

5. THIS DIE SET RECOMMENDED TO BE USED ONLY WITH APPLICABLE HAND CRIMP TOOL, P/No. HRUS-HT-1, TO CRIMP SOCKET TERMINAL, P/No. DF11-2428SC/SCA.  
 4. APPLICABLE WIRE STYLE: UL 1007, AWG 24, 26 AND 28.

3. MATERIAL AND FINISHES:  
 DIES, ANVILS, CONTACT STOPPER, SPACER BLOCK AND STOPPER PIN- TOOL STEEL.  
 2. DIMENSIONS IN ( ) ARE FOR REFERENCE ONLY

1. DIMENSIONING AND TOLERANCING PER ANSI/ASME Y14.5M-1994  
 NOTES (UNLESS OTHERWISE SPECIFIED)

CUSTOMER USE DRAWING

<b>FROM NO.</b> <b>0AG18</b> <small>THIRD ANGLE PROJECTION</small> 	<small>UNLESS OTHERWISE SPECIFIED DIMENSIONS ARE IN MILLIMETERS TOLERANCES ARE</small> X - ±0.1 .XX - ±0.05 .XXX - ±0.03 ANGLE = ±1°		<b>APPROVALS</b> DATE: 02/06/03 02/06/03 02/07/03 02/10/03
	Luis Lostaunau Alla Shchur Mac Nagashima Kris McGuire	CL NUMBER <b>5920-8501-2</b>	SIZE <b>B</b>
PROJECT NO. XXXXXXXX USED ON APPLICATION	PART NUMBER <b>DF11-TA2428HC/US-DS</b>	DWG NUMBER <b>DF11-TA2428HC/US-DS</b>	REV. <b>B</b>
HRS HIROSE ELECTRIC (U.S.A), INC SIMI VALLEY, CALIFORNIA 93065		SCALE N/A	SHEET 1 OF 1